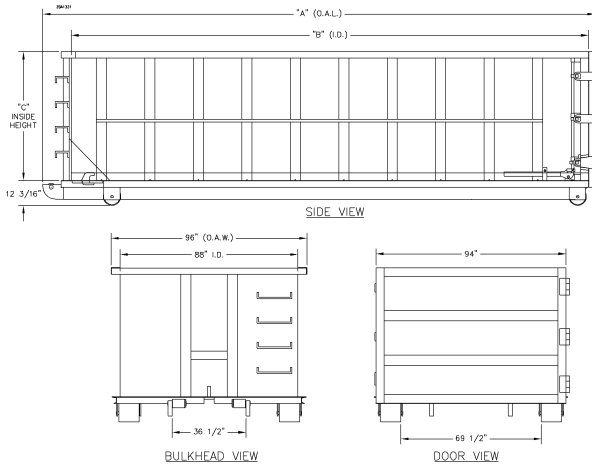


OPEN TOP ROLL OFF CONTAINER SPECIFICATIONS



MODEL	CAPACITY	OVERALL LENGTH	INSIDE LENGTH (B)	INSIDE HEIGHT (C)	APPROX. WEIGHT
R100T12S	10 cu.yd.	13' - 1/2"	140"	3'-5"	2826 lbs
R150T1RS	15 cu.yd.	15' - 1/2"	164"	4'-2"	3305 lbs
R200T22SS	20 cu.yd.	22' - 9 1/2"	257"	3'-5"	4500 lbs
R300T22SS	30 cu.yd.	22' - 9 1/2"	257"	5'-2"	5165 lbs
R400T22SS	40 cu.yd.	22' - 9 1/2"	257"	6'-10"	5930 lbs

FLOOR

7 gauge Floor Sheet
 3" Structural Channel on 18" spacing
 Rails shall be one piece, 2"x6"x3/16" structural tube, all prime material - no splits or joints on 22'-0" containers.
 Solid Steel Bullnose at front of rail
 Gussets on every other cross member, 7 gauge plate
 Wheels: (4) 8" diameter x 10" long, Heavy Duty construction
 Rollers: 4" diameter x 6" long w/grease fittings
 Hook: 1-1/4" Hi-Tensile steel, inserted thru 1" hook plate, locked in, and full welded both sides. Hook and Hook Plate carry a Life Time Guarantee

SIDES

12 gauge sheet sides
 Structural Side Tubes, 13 gauge steel, 2 way bend, 3" deep x 5", side tubes on 24" centers with holes at bottom for drainage. Welding: 3" high weld at floor, all additional welds on 15" spacing *approximately* 3" long each
 Tie down bar 1" diameter pipes
 Bottom of side plate and bottom of formed tubes are full welded to floor plate on outside
 Top horizontal tube 3" x 4" x 11 gauge full length prime material - no splits or joints on 22'-0" containers. This tube is full welded to side sheet

DOOR

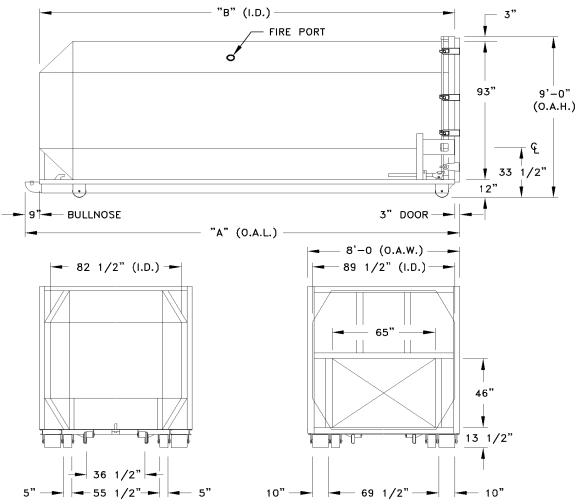
4 Horizontal & 2 Vertical structural tubes shall be prime material, one piece - no splits or joints
 Semi-Automatic cam locking system with vertical lift handle. Fabricated from 1-1/4" steel bar, "Posi-Lock" cams, and 1/2" "Posi-Lock" keepers on the door. This design is for the maximum protection of the operator. All areas of stress are reinforced and double welded

12 gauge sheet sides
 4 - "J" Hooks for tarping

BULKHEAD

2 Vertical and 1 Horizontal structural tubes, 13 gauge steel, 3" deep x 5" wide
 12 gauge Sheet
 Dog box 10 gauge plate
 4 - "J" Hooks for tarping
 Ladder 3/4" diameter solid

OCTAGON ROLL-OFF CONTAINER SPECIFICATIONS



CAPACITY	OVERALL LENGTH	INSIDE LENGTH	WEIGHT
40 cu. Yd.	22'-9"	21'-9"	6878 lbs
35 cu. Yd.	20'-0"	19'-0"	6243 lbs
30 cu. Yd.	17'-6"	16'-6"	5666 lbs
27 cu. Yd.	16'-0"	15'-0"	5326 lbs
25 cu. Yd.	14'-6"	13'-6"	4986 lbs

FLOOR

7 gauge Floor Sheet -
 3" Structural Channel on 18" spacing
 Rails shall be one piece, 2"x6"x3/16" structural tube, all prime material - no splits or joints on 22'-0" containers.
 Solid Steel Bullnose at front of rail
 Gussets on every other cross member, 7 gauge plate
 Wheels: 8" diameter Heavy Duty Construction
 2 - 5" long at front end / 2 - 10" long at door end
 Rollers: 4" diameter x 6" long w/grease fittings
 Hook: 1-1/4" Hi-Tensile steel, inserted thru 1" hook plate, locked in, and full welded both sides. Hook and Hook Plate carry a Life Time Guarantee

ROOF

12 gauge Sheet

SIDES

7 gauge bottom and 10 gauge upper - formed
 Full welded to floor on outside
 Full welded to 3" x 4" structural tube at door end
 One fire port on each side of container

DOOR

Door frame consists of 3"x4" structural tube with vertical tubes at approximately 30" spacings
 12 gauge Sheet
 3 Machined hinges with grease fittings - on 62" sides and above
 Semi-Automatic cam locking system with vertical lift handle. Fabricated from 1-1/4" steel bar, "Posi-Lock" cams, and 1/2" "Posi-Lock" keepers on the door. This design is for the maximum protection of the operator. All areas of stress are reinforced and double welded.
 12 - "J" Hooks for tarping

BULKHEAD

10 gauge plate